

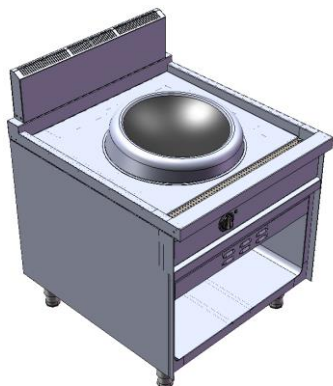


Total Food-Service Solutions

## Modular Cooking –Grandis 900

### Electric Wok Induction

#### NEWI 8-90 GR



\*Due to routine technical improvement, the photograph shown may not represent the latest design of the products.

#### AVAILABLE MODEL

1. NEWI 8-90 GR

#### DESCRIPTION

Electric Wok Induction with 8 kW power rate. It is also equipped with stainless steel wok ring to prevent the cooking wok to damage the induction glass.

Unit to be installed on cabinet or similar elements, cantilever, or solid block solutions. Featuring removable clip joint to connect Grandis family product.

ITEM# : \_\_\_\_\_

MODEL# : \_\_\_\_\_

NAME : \_\_\_\_\_

SN : \_\_\_\_\_

#### MAIN FEATURE

- 8 kW wok induction with coil diameter of 400 mm.
- Stainless steel wok ring to prevent the cooking wok to damage the induction glass.
- Deep drawn top panel for maximum hygiene and operation.
- Frontal drain.
- Fresh air intake from the cabinet into the back and coming out of the high chimney at the back.
- H2 Cabinet Finishing.

#### CONSTRUCTION

- All exterior panels in 304 type of Stainless Steel.
- Orbital top panel anti-scratch finishing.
- Top with 2.0 mm thick surface.
- Side with 0.8 mm thick surface.
- Adjustable  $\pm 25$  mm Stainless Steel leg.
- Certified IPX4 protection.

#### INCLUDED ACCESSORIES

- N/A.

#### OPTIONAL ACCESSORIES

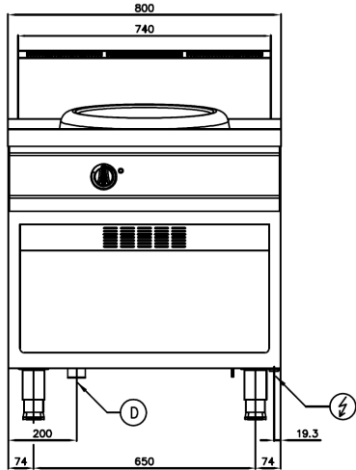
- Clip Plate for Joining.

: \_\_\_\_\_

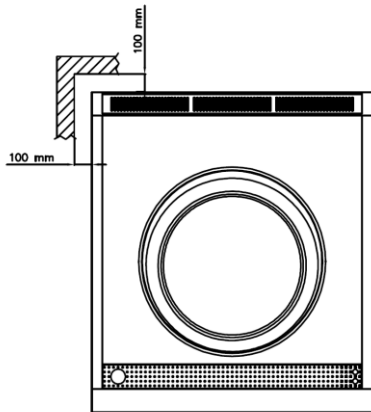
The company reserves the right to make modifications to the products without prior notice. All information correct at time of printing. 2017.12.08



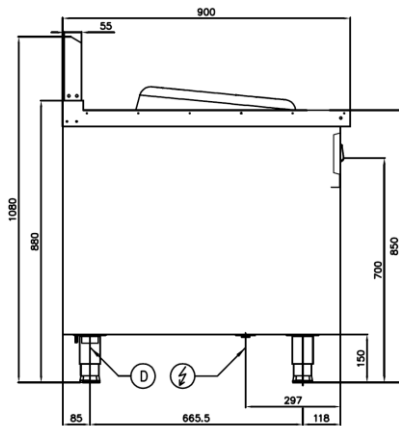
**FRONT**



**TOP**



**SIDE**



⚡ Electric Connection  
 (D) Drain 2"

\* Overall Dimension in mm

**ELECTRIC**

Electrical rating (kW)	:	8 kW
Element rating (kW)	:	8 kW
Electrical supply voltage	:	400V 3N
Required electrical supply (amps):		12
Electrical current split (amps) :		L1: -
		L2: -
		L3: -

**KEY INFORMATION**

Cooking surface	:	Ø 390 mm
Direct heat emission	:	0.19 kW
Latent heat emission	:	0.07 kW
Steam emission	:	0.11 kg / h
Net weight	:	-
Shipping height	:	1100 mm
Shipping width	:	855 mm
Shipping depth	:	995 mm
Shipping volume	:	0.867 m <sup>3</sup>

\*Missing information may be updated from time to time, please contact our representative to receive the updated data sheets.